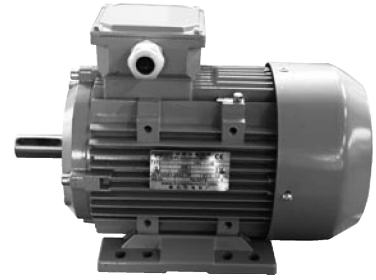




HM Series Three Phase Asynchronous Motor



Performance and Characteristic:

The mounting dimension and power totally conform to IEC standard.

Rated Output: 0.09~315KW

Rated Voltage: 220/380V; 380/660V;

Rated Frequency: 50HZ, 60HZ

Protection Class: IP44, IP54 higher up to IP55;

Insulation Class: B, F, H;

Cooling Method: IC411;

Connection Type: Power under 3KW selects Star connection

Power up 3KW selects Delta connection

HM series technical data

2 POLE

| Type | | Output | | Speed | Rated current(A) | | | Efficiency | Power factor | | | | Noise | HMI | HMA |
|---|-------|--------|------|-------|------------------|-------|-------|------------|--------------|-------|-------|---------|---------|------|------|
| | | KW | HP | r/min | 380V | 400V | 415V | % | COSΦ | Is/In | Ts/Tn | Tmax/Tn | LwdB(A) | Kg | Kg |
| Poles: 2 Frequency: 50HZ Synchronous: 3000r/min | | | | | | | | | | | | | | | |
| HM | 56M1 | 0.09 | 0.12 | 2750 | 0.32 | 0.30 | 0.29 | 62 | 0.7 | 5.2 | 2.1 | 2.2 | 58 | | 3.6 |
| HM | 56M2 | 0.12 | 0.18 | 2750 | 0.38 | 0.36 | 0.35 | 67 | 0.72 | 5.2 | 2.1 | 2.2 | 58 | | 3.9 |
| HM | 63M1 | 0.18 | 0.25 | 2730 | 0.50 | 0.48 | 0.46 | 65.3 | 0.80 | 5.5 | 2.2 | 2.2 | 63 | 14.0 | 4.8 |
| HM | 63M2 | 0.25 | 0.37 | 2800 | 0.70 | 0.67 | 0.64 | 68.3 | 0.81 | 5.5 | 2.2 | 2.2 | 63 | 14.5 | 5.1 |
| HM | 71M1 | 0.37 | 0.50 | 2756 | 1.00 | 0.95 | 0.92 | 70.3 | 0.81 | 6.1 | 2.2 | 2.2 | 66 | 15.0 | 6 |
| HM | 71M2 | 0.55 | 0.75 | 2792 | 1.40 | 1.33 | 1.28 | 73.4 | 0.82 | 6.1 | 2.2 | 2.3 | 66 | 16 | 6.5 |
| HM | 80M1 | 0.75 | 1.00 | 2830 | 1.80 | 1.71 | 1.65 | 75.3 | 0.83 | 6.1 | 2.2 | 2.3 | 69 | 16 | 8.7 |
| HM | 80M2 | 1.1 | 1.50 | 2830 | 2.60 | 2.47 | 2.38 | 77.3 | 0.84 | 7.0 | 2.2 | 2.3 | 69 | 17 | 9.5 |
| HM | 90S | 1.5 | 2 | 2840 | 3.40 | 3.23 | 3.11 | 79.3 | 0.84 | 7.0 | 2.2 | 2.3 | 74 | 22 | 11.8 |
| HM | 90L | 2.2 | 3 | 2840 | 4.80 | 4.56 | 4.40 | 81.4 | 0.85 | 7.0 | 2.2 | 2.3 | 74 | 25 | 13.5 |
| HM | 100L | 3.0 | 4 | 2860 | 6.30 | 5.99 | 5.77 | 83.3 | 0.87 | 7.5 | 2.2 | 2.3 | 78 | 33 | 21 |
| HM | 112M | 4.0 | 5.5 | 2880 | 8.00 | 7.60 | 7.33 | 85.3 | 0.88 | 7.5 | 2.2 | 2.3 | 79 | 45 | 28 |
| HM | 132S1 | 5.5 | 7.5 | 2900 | 11.00 | 10.45 | 10.07 | 86.3 | 0.88 | 7.5 | 2.2 | 2.3 | 82 | 64 | 39 |
| HM | 132S2 | 7.5 | 10 | 2900 | 14.80 | 14.06 | 13.55 | 87.4 | 0.88 | 7.5 | 2.2 | 2.3 | 82 | 70 | 44.5 |
| HM | 160M1 | 11.0 | 15 | 2930 | 21.3 | 20.2 | 19.5 | 88.4 | 0.89 | 7.5 | 2.2 | 2.3 | 88 | 117 | 69.5 |
| HM | 160M2 | 15.0 | 20 | 2930 | 28.7 | 27.3 | 26.3 | 89.4 | 0.89 | 7.5 | 2.2 | 2.3 | 88 | 125 | 78 |
| HM | 160L | 18.5 | 25 | 2930 | 34.6 | 32.9 | 31.7 | 90.4 | 0.90 | 7.5 | 2.2 | 2.3 | 88 | 147 | 88.5 |
| HM | 180M | 22 | 30 | 2940 | 40.8 | 38.8 | 37.4 | 91.0 | 0.90 | 7.5 | 2.0 | 2.3 | 91 | 180 | |
| HM | 200L1 | 30 | 40 | 2950 | 55.3 | 52.5 | 50.6 | 91.6 | 0.90 | 7.5 | 2.0 | 2.3 | 94 | 240 | |
| HM | 200L2 | 37 | 50 | 2950 | 67.6 | 64.2 | 61.9 | 92.4 | 0.90 | 7.5 | 2.0 | 2.3 | 94 | 255 | |
| HM | 225M | 45 | 60 | 2970 | 82.0 | 77.9 | 75.1 | 92.7 | 0.90 | 7.5 | 2.0 | 2.3 | 94 | 309 | |
| HM | 250M | 55 | 75 | 2970 | 99.9 | 94.9 | 91.5 | 93.0 | 0.90 | 7.5 | 2.0 | 2.3 | 95 | 403 | |
| HM | 280S | 75 | 100 | 2970 | 135.6 | 128.8 | 124.2 | 93.4 | 0.90 | 7.5 | 2.0 | 2.3 | 96 | 544 | |
| HM | 280M | 90 | 120 | 2970 | 159.6 | 151.6 | 146.1 | 94.2 | 0.91 | 7.5 | 2.0 | 2.3 | 96 | 620 | |
| HM | 315S | 110 | 150 | 2980 | 194.6 | 184.9 | 178.2 | 94.4 | 0.91 | 7.1 | 1.8 | 2.2 | 98 | 980 | |
| HM | 315M | 132 | 180 | 2980 | 232.1 | 220.5 | 212.5 | 95.0 | 0.91 | 7.1 | 1.8 | 2.2 | 98 | 1080 | |
| HM | 315L1 | 160 | 215 | 2980 | 278.2 | 264.3 | 254.7 | 95.0 | 0.92 | 7.1 | 1.8 | 2.2 | 101 | 1160 | |
| HM | 315L2 | 200 | 270 | 2980 | 347.0 | 329.6 | 317.7 | 95.2 | 0.92 | 7.1 | 1.8 | 2.2 | 101 | 1190 | |
| HM | 355M | 250 | 335 | 2980 | 431.5 | 409.9 | 395.1 | 95.7 | 0.92 | 7.1 | 1.6 | 2.2 | 105 | 1760 | |
| HM | 355L | 315 | 420 | 2980 | 541.5 | 514.4 | 495.8 | 96.1 | 0.92 | 7.1 | 1.6 | 2.2 | 105 | 1850 | |

4 POLE

| Type | | Output | | Speed r/min | Rated current(A) | | | Efficiency % | Power factor COSΦ | Is/In | Ts/Tn | Tmax/Tn | Noise LwdB(A) | HMI Kg | HMA Kg |
|---|-------|--------|------|----------------|------------------|-------|-------|-----------------|----------------------|-------|-------|---------|------------------|-----------|-----------|
| | | KW | HP | | 380V | 400V | 415V | | | | | | | | |
| Poles: 4 Frequency: 50HZ Synchronous: 1500r/min | | | | | | | | | | | | | | | |
| HM | 56M1 | 0.06 | 0.09 | 1325 | 0.28 | 0.27 | 0.26 | 56 | 0.58 | 3.9 | 2 | 2.1 | 48 | | 3.6 |
| HM | 56M2 | 0.09 | 0.12 | 1325 | 0.39 | 0.37 | 0.36 | 58 | 0.61 | 3.9 | 2 | 2.1 | 48 | | 3.9 |
| HM | 63M1 | 0.12 | 0.18 | 1320 | 0.40 | 0.38 | 0.37 | 57.2 | 0.72 | 4.2 | 2.1 | 2.2 | 57 | 13.0 | 4.8 |
| HM | 63M2 | 0.18 | 0.25 | 1320 | 0.60 | 0.57 | 0.55 | 60.2 | 0.73 | 4.2 | 2.1 | 2.2 | 57 | 13.5 | 5.1 |
| HM | 71M1 | 0.25 | 0.37 | 1347 | 0.80 | 0.76 | 0.73 | 65.3 | 0.74 | 5.0 | 2.1 | 2.2 | 60 | 14.0 | 6 |
| HM | 71M2 | 0.37 | 0.50 | 1340 | 1.10 | 1.05 | 1.01 | 67.3 | 0.75 | 5.0 | 2.1 | 2.2 | 60 | 14.5 | 6.3 |
| HM | 80M1 | 0.55 | 0.75 | 1390 | 1.60 | 1.52 | 1.47 | 71.2 | 0.75 | 5.0 | 2.4 | 2.3 | 63 | 17 | 9.4 |
| HM | 80M2 | 0.75 | 1.00 | 1390 | 2.00 | 1.90 | 1.83 | 73.3 | 0.76 | 6.0 | 2.3 | 2.3 | 63 | 18 | 10.8 |
| HM | 90S | 1.1 | 1.50 | 1390 | 2.90 | 2.76 | 2.66 | 75.3 | 0.77 | 6.0 | 2.3 | 2.3 | 66 | 22 | 12 |
| HM | 90L | 1.5 | 2 | 1390 | 3.70 | 3.52 | 3.39 | 78.4 | 0.79 | 6.0 | 2.3 | 2.3 | 66 | 27 | 13.8 |
| HM | 100L1 | 2.2 | 3 | 1410 | 5.10 | 4.85 | 4.67 | 80.2 | 0.81 | 6.0 | 2.3 | 2.3 | 69 | 34 | 20.8 |
| HM | 100L2 | 3.0 | 4 | 1410 | 6.80 | 6.46 | 6.23 | 82.3 | 0.82 | 7.0 | 2.3 | 2.3 | 69 | 38 | 23.5 |
| HM | 112M | 4.0 | 5.5 | 1435 | 8.80 | 8.36 | 8.06 | 84.3 | 0.82 | 7.0 | 2.3 | 2.3 | 70 | 43 | 29.5 |
| HM | 132S | 5.5 | 7.5 | 1440 | 11.80 | 11.21 | 10.80 | 85.4 | 0.83 | 7.0 | 2.3 | 2.3 | 76 | 68 | 41 |
| HM | 132M | 7.5 | 10 | 1440 | 15.50 | 14.73 | 14.19 | 87.3 | 0.84 | 7.0 | 2.3 | 2.3 | 76 | 81 | 47.5 |
| HM | 160M | 11.0 | 15 | 1460 | 22.5 | 21.4 | 20.6 | 88.4 | 0.84 | 7.0 | 2.2 | 2.3 | 83 | 123 | 72.5 |
| HM | 160L | 15.0 | 20 | 1460 | 30.0 | 28.5 | 27.5 | 89.4 | 0.85 | 8.0 | 2.2 | 2.3 | 83 | 144 | 85.6 |
| HM | 180M | 18.5 | 25 | 1470 | 35.9 | 34.1 | 32.9 | 91.0 | 0.86 | 8.0 | 2.2 | 2.3 | 80 | 182 | |
| HM | 180L | 22 | 30 | 1470 | 42.6 | 40.5 | 39.0 | 91.3 | 0.86 | 8.0 | 2.2 | 2.3 | 80 | 190 | |
| HM | 200L | 30 | 40 | 1470 | 57.4 | 54.5 | 52.6 | 92.4 | 0.86 | 7.0 | 2.2 | 2.3 | 83 | 270 | |
| HM | 225S | 37 | 50 | 1480 | 69.3 | 65.8 | 63.5 | 92.9 | 0.87 | 7.0 | 2.2 | 2.3 | 85 | 284 | |
| HM | 225M | 45 | 60 | 1480 | 84.3 | 80.1 | 77.2 | 93.3 | 0.87 | 7.0 | 2.2 | 2.3 | 84 | 320 | |
| HM | 250M | 55 | 75 | 1480 | 103.0 | 97.8 | 94.3 | 93.3 | 0.87 | 7.0 | 2.2 | 2.3 | 86 | 427 | |
| HM | 280S | 75 | 100 | 1480 | 139.1 | 132.1 | 127.4 | 94.2 | 0.87 | 7.0 | 2.2 | 2.3 | 89 | 562 | |
| HM | 280M | 90 | 120 | 1480 | 166.2 | 157.9 | 152.2 | 94.6 | 0.87 | 7.0 | 2.2 | 2.3 | 89 | 667 | |
| HM | 315S | 110 | 150 | 1490 | 200.0 | 190.0 | 183.1 | 95.0 | 0.88 | 7.0 | 2.1 | 2.2 | 96 | 1000 | |
| HM | 315M | 132 | 180 | 1490 | 239.7 | 227.7 | 219.5 | 95.1 | 0.88 | 7.0 | 2.1 | 2.2 | 96 | 1100 | |
| HM | 315L1 | 160 | 215 | 1490 | 286.7 | 272.4 | 262.5 | 95.3 | 0.89 | 7.0 | 2.1 | 2.2 | 100 | 1160 | |
| HM | 315L2 | 200 | 270 | 1490 | 358.0 | 340.1 | 327.8 | 95.4 | 0.89 | 7.0 | 2.1 | 2.2 | 100 | 1270 | |
| HM | 355M2 | 250 | 335 | 1490 | 440.7 | 418.7 | 403.5 | 95.8 | 0.90 | 7.0 | 2.1 | 2.2 | 104 | 1700 | |
| HM | 355L2 | 315 | 420 | 1490 | 554.6 | 526.9 | 507.8 | 95.9 | 0.90 | 7.0 | 2.1 | 2.2 | 104 | 1850 | |

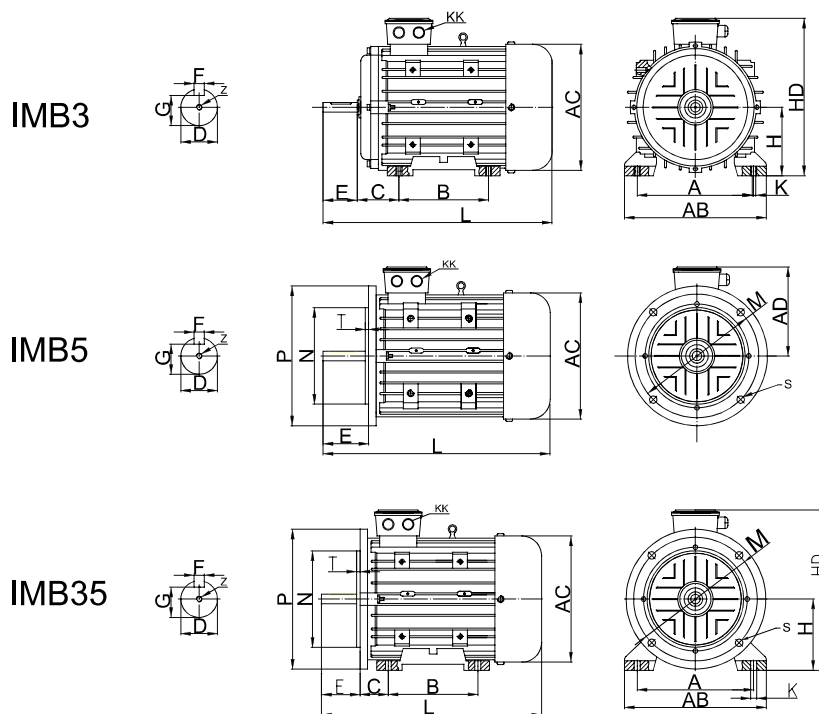
6 POLE

| Type | | Output | | Speed r/min | Rated current(A) | | | Efficiency % | Power factor COSΦ | Is/In | Ts/Tn | Tmax/Tn | Noise LwdB(A) | HMI Kg | HMA Kg |
|---|-------|--------|------|----------------|------------------|-------|-------|-----------------|----------------------|-------|-------|---------|------------------|-----------|-----------|
| | | KW | HP | | 380V | 400V | 415V | | | | | | | | |
| Poles: 6 Frequency: 50HZ Synchronous: 1000r/min | | | | | | | | | | | | | | | |
| HM | 71M1 | 0.18 | 0.25 | 865 | 0.70 | 0.67 | 0.64 | 56.3 | 0.66 | 4.0 | 1.9 | 2.0 | 59 | 14.0 | 6 |
| HM | 71M2 | 0.25 | 0.37 | 863 | 0.90 | 0.86 | 0.82 | 59.4 | 0.68 | 4.0 | 1.9 | 2.0 | 59 | 14.5 | 6.3 |
| HM | 80M1 | 0.37 | 0.50 | 890 | 1.30 | 1.24 | 1.19 | 62.4 | 0.70 | 4.7 | 1.9 | 2.0 | 61 | 17.0 | 8.9 |
| HM | 80M2 | 0.55 | 0.75 | 890 | 1.80 | 1.71 | 1.65 | 65.3 | 0.72 | 4.7 | 1.9 | 2.1 | 61 | 19.0 | 10.4 |
| HM | 90S | 0.75 | 1.00 | 910 | 2.30 | 2.19 | 2.11 | 69.4 | 0.72 | 5.5 | 2.0 | 2.1 | 64 | 23.0 | 12.1 |
| HM | 90L | 1.1 | 1.50 | 910 | 3.20 | 3.04 | 2.93 | 72.3 | 0.73 | 5.5 | 2.0 | 2.1 | 64 | 25 | 13.7 |
| HM | 100L | 1.5 | 2 | 920 | 4.00 | 3.80 | 3.66 | 76.4 | 0.75 | 5.5 | 2.0 | 2.1 | 68 | 33 | 23 |
| HM | 112M | 2.2 | 3 | 935 | 5.50 | 5.23 | 5.04 | 79.3 | 0.76 | 6.5 | 2.0 | 2.1 | 72 | 45 | 28.2 |
| HM | 132S | 3.0 | 4 | 960 | 7.40 | 7.03 | 6.78 | 81.3 | 0.76 | 6.5 | 2.1 | 2.1 | 76 | 63 | 40.3 |
| HM | 132M1 | 4.0 | 5.5 | 960 | 9.70 | 9.21 | 8.88 | 82.5 | 0.76 | 6.5 | 2.1 | 2.1 | 76 | 73 | 43 |
| HM | 132M2 | 5.5 | 7.5 | 960 | 12.90 | 12.26 | 11.81 | 84.4 | 0.77 | 6.5 | 2.1 | 2.1 | 76 | 84 | 47.2 |
| HM | 160M | 7.5 | 10 | 970 | 17.1 | 16.2 | 15.7 | 86.3 | 0.77 | 6.5 | 2.0 | 2.1 | 80 | 119 | 70.6 |
| HM | 160L | 11 | 15 | 970 | 24.4 | 23.2 | 22.3 | 87.8 | 0.78 | 6.5 | 2.0 | 2.1 | 80 | 147 | 85 |
| HM | 180L | 15 | 20 | 970 | 31.5 | 29.9 | 28.8 | 89.2 | 0.81 | 7.0 | 2.0 | 2.1 | 79 | 195 | |
| HM | 200L1 | 18.5 | 25 | 970 | 38.4 | 36.5 | 35.2 | 90.3 | 0.81 | 7.0 | 2.1 | 2.1 | 82 | 220 | |
| HM | 200L2 | 22 | 30 | 970 | 44.5 | 42.3 | 40.7 | 90.4 | 0.83 | 7.0 | 2.1 | 2.1 | 82 | 250 | |
| HM | 225M | 30 | 40 | 980 | 59.1 | 56.1 | 54.1 | 91.8 | 0.84 | 7.0 | 2.0 | 2.1 | 82 | 292 | |
| HM | 250M | 37 | 50 | 980 | 70.8 | 67.3 | 64.8 | 92.3 | 0.86 | 7.0 | 2.1 | 2.1 | 84 | 408 | |
| HM | 280S | 45 | 60 | 980 | 85.7 | 81.4 | 78.5 | 92.8 | 0.86 | 7.0 | 2.1 | 2.0 | 85 | 536 | |
| HM | 280M | 55 | 75 | 980 | 104.3 | 99.1 | 95.5 | 93.2 | 0.86 | 7.0 | 2.1 | 2.0 | 85 | 595 | |
| HM | 315S | 75 | 100 | 990 | 141.3 | 134.2 | 129.4 | 93.8 | 0.86 | 7.0 | 2.0 | 2.0 | 90 | 990 | |
| HM | 315M | 90 | 120 | 990 | 168.8 | 160.4 | 154.6 | 94.2 | 0.86 | 7.0 | 2.0 | 2.0 | 90 | 1080 | |
| HM | 315L1 | 110 | 150 | 990 | 206.1 | 195.8 | 188.7 | 94.3 | 0.86 | 6.7 | 2.0 | 2.0 | 90 | 1150 | |
| HM | 315L2 | 132 | 180 | 990 | 243.9 | 231.7 | 223.3 | 94.5 | 0.87 | 6.7 | 2.0 | 2.0 | 89 | 1210 | |
| HM | 355M1 | 160 | 215 | 990 | 290.8 | 276.3 | 266.3 | 95.0 | 0.88 | 6.7 | 1.9 | 2.0 | 96 | 1600 | |
| HM | 355M2 | 200 | 270 | 990 | 363.1 | 344.9 | 332.5 | 95.1 | 0.88 | 6.7 | 1.9 | 2.0 | 96 | 1700 | |
| HM | 355L | 250 | 335 | 990 | 452.9 | 430.3 | 414.7 | 95.3 | 0.88 | 6.7 | 1.9 | 2.0 | 96 | 1800 | |

8 POLE

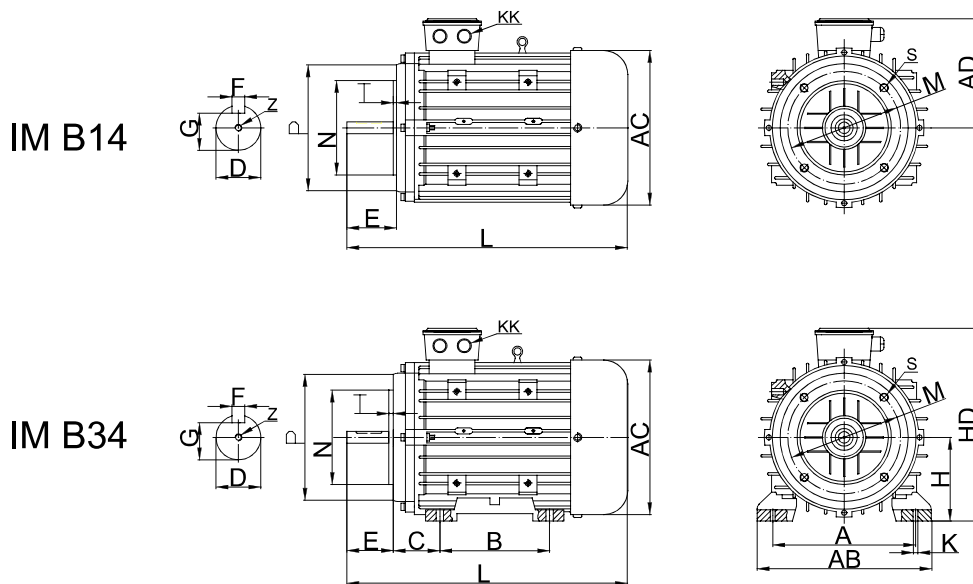
| Type | Output | | Speed | Rated current(A) | | | Efficiency | Power factor | Is/In | Ts/Tn | Tmax/Tn | Noise | HMI | HMA | |
|--|--------|------|-------|------------------|-------|-------|------------|--------------|-------|-------|---------|---------|-----|------|------|
| | KW | HP | r/min | 380V | 400V | 415V | % | COSΦ | | | | LwdB(A) | Kg | Kg | |
| Poles: 8 Frequency: 50HZ Synchronous: 750r/min | | | | | | | | | | | | | | | |
| HM | 80M1 | 0.18 | 0.25 | 630 | 0.90 | 0.86 | 0.82 | 51.2 | 0.61 | 3.3 | 1.8 | 1.9 | 60 | 17 | 8.9 |
| HM | 80M2 | 0.25 | 0.37 | 640 | 1.10 | 1.05 | 1.01 | 54.2 | 0.61 | 3.3 | 1.8 | 1.9 | 60 | 19 | 10.4 |
| HM | 90S | 0.37 | 0.50 | 660 | 1.50 | 1.43 | 1.37 | 62.2 | 0.61 | 4 | 1.8 | 1.9 | 64 | 23 | 12.1 |
| HM | 90L | 0.55 | 0.75 | 660 | 2.20 | 2.09 | 2.01 | 63.3 | 0.61 | 4 | 1.8 | 2.0 | 64 | 25 | 13.7 |
| HM | 100L1 | 0.75 | 1.00 | 690 | 2.40 | 2.28 | 2.20 | 71.2 | 0.67 | 4.0 | 1.8 | 2.0 | 67 | 33 | 23 |
| HM | 100L2 | 1.1 | 1.50 | 690 | 3.30 | 3.14 | 3.02 | 73.2 | 0.69 | 5.0 | 1.8 | 2.0 | 67 | 38 | 25.1 |
| HM | 112M | 1.5 | 2 | 680 | 4.40 | 4.18 | 4.03 | 75.3 | 0.69 | 5.0 | 1.8 | 2.0 | 69 | 50 | 28.2 |
| HM | 132S | 2.2 | 3 | 710 | 6.00 | 5.70 | 5.49 | 78.4 | 0.71 | 6.0 | 1.8 | 2.0 | 72 | 63 | 40.3 |
| HM | 132M | 3.0 | 4 | 710 | 7.90 | 7.51 | 7.23 | 79.2 | 0.73 | 6.0 | 1.8 | 2.0 | 72 | 79 | 45 |
| HM | 160M1 | 4.0 | 5.5 | 720 | 10.2 | 9.7 | 9.3 | 81.2 | 0.73 | 6.0 | 1.9 | 2.0 | 76 | 118 | 68.5 |
| HM | 160M2 | 5.5 | 7.5 | 720 | 13.6 | 12.9 | 12.5 | 83.3 | 0.74 | 6.0 | 2.0 | 2.0 | 76 | 119 | 76 |
| HM | 160L | 7.5 | 10 | 720 | 17.7 | 16.8 | 16.2 | 85.9 | 0.75 | 6.0 | 2.0 | 2.0 | 76 | 145 | 86.2 |
| HM | 180L | 11.0 | 15 | 730 | 25.1 | 23.8 | 23.0 | 87.8 | 0.76 | 6.6 | 2.0 | 2.0 | 78 | 184 | |
| HM | 200L | 15.0 | 20 | 730 | 34.0 | 32.3 | 31.1 | 88.3 | 0.76 | 6.6 | 2.0 | 2.0 | 80 | 750 | |
| HM | 225S | 18.5 | 25 | 730 | 40.9 | 38.9 | 37.5 | 90.4 | 0.76 | 6.6 | 1.9 | 2.0 | 80 | 266 | |
| HM | 225M | 22 | 30 | 740 | 47.1 | 44.7 | 43.1 | 9.0 | 0.78 | 6.6 | 1.9 | 2.0 | 80 | 292 | |
| HM | 250M | 30 | 40 | 740 | 63.2 | 60.0 | 57.9 | 91.3 | 0.79 | 6.6 | 1.9 | 2.0 | 82 | 405 | |
| HM | 280S | 37 | 50 | 740 | 77.5 | 73.6 | 71.0 | 91.8 | 0.79 | 6.6 | 1.9 | 2.0 | 83 | 520 | |
| HM | 280M | 45 | 60 | 740 | 93.7 | 89.0 | 85.8 | 92.4 | 0.79 | 6.6 | 1.9 | 2.0 | 82 | 592 | |
| HM | 315S | 55 | 75 | 740 | 110.6 | 105.1 | 101.3 | 93.3 | 0.81 | 6.6 | 1.8 | 2.0 | 88 | 1000 | |
| HM | 315M | 75 | 100 | 740 | 150.8 | 143.3 | 138.1 | 93.3 | 0.81 | 6.6 | 1.8 | 2.0 | 88 | 1100 | |
| HM | 315L1 | 90 | 120 | 740 | 177.3 | 168.4 | 162.3 | 94.1 | 0.82 | 6.6 | 1.8 | 2.0 | 88 | 1160 | |
| HM | 315L2 | 110 | 150 | 740 | 216.0 | 205.2 | 197.8 | 94.4 | 0.82 | 6.4 | 1.8 | 2.0 | 88 | 1230 | |
| HM | 355M1 | 132 | 180 | 740 | 259.7 | 246.7 | 237.8 | 94.2 | 0.82 | 6.4 | 1.8 | 2.0 | 95 | 1600 | |
| HM | 355M2 | 160 | 215 | 740 | 313.8 | 298.1 | 287.3 | 94.5 | 0.82 | 6.4 | 1.8 | 2.0 | 95 | 1700 | |
| HM | 355L1 | 200 | 270 | 740 | 386.3 | 367.0 | 353.7 | 94.8 | 0.83 | 6.4 | 1.8 | 2.0 | 95 | 1800 | |

HMA Series Aluminium Mounting and Overall Dimensions



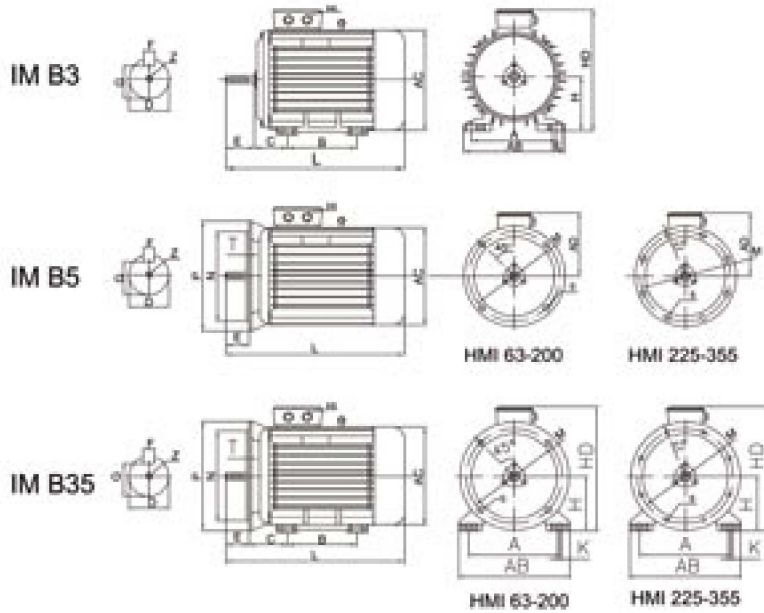
| | | MOUNTING DIMENSIONS | | | | | | | | | | | | | | | | | OVERALL DIMENSIONS | | | | |
|------|------|---------------------|-----|-----|-----|----|-----|----|------|-----|-----|--------|-----------|-----|-----|-----|-----|-----|--------------------|-----|-----|-----|-----|
| TYPE | | POLE | A | B | C | D | E | F | G | H | K | Z | KK | M | N | P | S | T | AB | AC | AD | HD | L |
| HMA | 56M | 2.4 P | 90 | 71 | 36 | 9 | 20 | 3 | 7.2 | 56 | 5.8 | M4×12 | 2-M20×1.5 | 100 | 80 | 120 | Φ7 | 3 | 110 | 111 | 89 | 145 | 197 |
| HMA | 63M | 2.4P | 100 | 80 | 40 | 11 | 23 | 4 | 8.5 | 63 | 7 | M4×12 | 1-M20×1.5 | 115 | 95 | 140 | Φ10 | 3 | 120 | 120 | 107 | 170 | 212 |
| HMA | 71M | 2.4.6 P | 112 | 90 | 45 | 14 | 30 | 5 | 11 | 71 | 7 | M5×12 | 1-M20×1.5 | 130 | 110 | 160 | Φ10 | 3.5 | 132 | 133 | 114 | 185 | 240 |
| HMA | 80M | 2.4.6.8P | 125 | 100 | 50 | 19 | 40 | 6 | 15.5 | 80 | 10 | M6×16 | 1-M25×1.5 | 165 | 130 | 200 | Φ12 | 3.5 | 152 | 153 | 122 | 202 | 290 |
| HMA | 90S | 2.4.6.8P | 140 | 100 | 56 | 24 | 50 | 8 | 20 | 90 | 10 | M8×19 | 1-M25×1.5 | 165 | 130 | 200 | Φ12 | 3.5 | 168 | 172 | 135 | 225 | 315 |
| HMA | 90L | 2.4.6.8P | 140 | 125 | 56 | 24 | 50 | 8 | 20 | 90 | 10 | M8×19 | 1-M25×1.5 | 165 | 130 | 200 | Φ12 | 3.5 | 168 | 172 | 135 | 225 | 340 |
| HMA | 100L | 2.4.6.8P | 160 | 140 | 63 | 28 | 60 | 8 | 24 | 100 | 12 | M10×22 | 1-M25×1.5 | 215 | 180 | 250 | Φ15 | 4 | 192 | 193 | 145 | 245 | 370 |
| HMA | 112M | 2.4.6.8P | 190 | 140 | 70 | 28 | 60 | 8 | 24 | 112 | 12 | M10×22 | 2-M32×1.5 | 215 | 180 | 250 | Φ15 | 4 | 222 | 223 | 165 | 277 | 395 |
| HMA | 132S | 2.4.6.8P | 216 | 140 | 89 | 38 | 80 | 10 | 33.3 | 132 | 12 | M12×28 | 2-M32×1.5 | 265 | 230 | 300 | Φ15 | 4 | 248 | 255 | 187 | 319 | 470 |
| HMA | 132M | 2.4.6.8P | 216 | 178 | 89 | 38 | 80 | 10 | 33.3 | 132 | 12 | M12×28 | 2-M32×1.5 | 265 | 230 | 300 | Φ15 | 4 | 248 | 255 | 187 | 319 | 500 |
| HMA | 160M | 2.4.6.8P | 254 | 210 | 108 | 42 | 110 | 12 | 37 | 160 | 15 | M16×36 | 2-M40×1.5 | 300 | 250 | 350 | Φ19 | 5 | 315 | 330 | 255 | 415 | 605 |
| HMA | 160L | 2.4.6.8P | 254 | 254 | 108 | 42 | 110 | 12 | 37 | 160 | 15 | M16×36 | 2-M40×1.5 | 300 | 250 | 350 | Φ19 | 5 | 315 | 330 | 255 | 415 | 680 |

HM Series Aluminium Mounting and Overall Dimensions



| | | MOUNTING DIMENSIONS | | | | | | | | | | | | | | | | | B14A | | | | | B14B | | | | | OVERALL DIMENSIONS | | | | |
|------|------|---------------------|-----|-----|-----|----|-----|----|------|-----|-----|--------|-----------|-----|-----|-----|-----|-----|------|-----|-----|-----|-----|------|-----|-----|-----|-----|--------------------|--|--|--|--|
| TYPE | | POLE | A | B | C | D | E | F | G | H | K | Z | KK | P | N | M | T | S | P | N | M | T | S | AB | AC | AD | HD | L | | | | | |
| HMA | 56M | 2.4 P | 90 | 71 | 36 | 9 | 20 | 3 | 7.2 | 56 | 5.8 | M4×12 | 2-M20×1.5 | 80 | 50 | 65 | 3 | M5 | 105 | 70 | 85 | 2.5 | M6 | 110 | 111 | 89 | 145 | 197 | | | | | |
| HMA | 63M | 2.4P | 100 | 80 | 40 | 11 | 23 | 4 | 8.5 | 63 | 7 | M4×12 | 1-M20×1.5 | 90 | 60 | 75 | 3 | M5 | 105 | 70 | 85 | 2.5 | M6 | 120 | 120 | 107 | 170 | 212 | | | | | |
| HMA | 71M | 2.4.6 P | 112 | 90 | 45 | 14 | 30 | 5 | 11 | 71 | 7 | M5×12 | 1-M20×1.5 | 105 | 70 | 85 | 3.5 | M6 | 140 | 95 | 115 | 3 | M6 | 132 | 133 | 114 | 185 | 240 | | | | | |
| HMA | 80M | 2.4.6.8P | 125 | 100 | 50 | 19 | 40 | 6 | 15.5 | 80 | 10 | M6×16 | 1-M25×1.5 | 120 | 80 | 100 | 3.5 | M6 | 160 | 110 | 130 | 3.5 | M8 | 152 | 153 | 122 | 202 | 290 | | | | | |
| HMA | 90S | 2.4.6.8P | 140 | 100 | 56 | 24 | 50 | 8 | 20 | 90 | 10 | M8×19 | 1-M25×1.5 | 140 | 95 | 115 | 3.5 | M8 | 160 | 110 | 130 | 3.5 | M8 | 168 | 172 | 135 | 225 | 315 | | | | | |
| HMA | 90L | 2.4.6.8P | 140 | 125 | 56 | 24 | 50 | 8 | 20 | 90 | 10 | M8×19 | 1-M25×1.5 | 140 | 95 | 115 | 3.5 | M8 | 160 | 110 | 130 | 3.5 | M8 | 168 | 172 | 135 | 225 | 340 | | | | | |
| HMA | 100L | 2.4.6.8P | 160 | 140 | 63 | 28 | 60 | 8 | 24 | 100 | 12 | M10×22 | 1-M25×1.5 | 160 | 110 | 130 | 4 | M8 | 200 | 130 | 165 | 3.5 | M10 | 192 | 193 | 145 | 245 | 370 | | | | | |
| HMA | 112M | 2.4.6.8P | 190 | 140 | 70 | 28 | 60 | 8 | 24 | 112 | 12 | M10×22 | 2-M32×1.5 | 160 | 110 | 165 | 4 | M10 | 200 | 130 | 165 | 3.5 | M10 | 222 | 223 | 165 | 277 | 395 | | | | | |
| HMA | 132S | 2.4.6.8P | 216 | 140 | 89 | 38 | 80 | 10 | 33 | 132 | 12 | M12×28 | 2-M32×1.5 | 200 | 130 | 165 | 4 | M10 | 250 | 180 | 215 | 4 | M12 | 248 | 255 | 187 | 319 | 470 | | | | | |
| HMA | 132M | 2.4.6.8P | 216 | 178 | 89 | 38 | 80 | 10 | 33 | 132 | 12 | M12×28 | 2-M32×1.5 | 200 | 130 | 165 | 4 | M10 | 250 | 180 | 215 | 4 | M12 | 248 | 255 | 187 | 319 | 500 | | | | | |
| HMA | 160M | 2.4.6.8P | 254 | 210 | 108 | 42 | 110 | 12 | 37 | 160 | 15 | M16×36 | 2-M40×1.5 | 250 | 180 | 215 | 4.5 | M12 | | | | | | 315 | 330 | 255 | 420 | 605 | | | | | |
| HMA | 160L | 2.4.6.8P | 254 | 254 | 108 | 42 | 110 | 12 | 37 | 160 | 16 | M16×36 | 2-M40×1.5 | 250 | 180 | 215 | 4.5 | M12 | | | | | | 315 | 330 | 255 | 420 | 680 | | | | | |

HM Series Cast-Iron Mounting and Overall Dimensions



| | | MOUNTING DIMENSIONS | | | | | | | | | | | | | | | | OVERALL DIMENSIONS | | | | | |
|------|------|---------------------|-----|-----|-----|----|-----|----|------|-----|----|--------|-----------|-----|-----|-----|-----|--------------------|-----|-----|-----|------|------|
| TYPE | POLE | A | B | C | D | E | F | G | H | K | Z | KK | M | N | P | S | T | AB | AC | AD | HD | L | |
| HMI | 63M | 2.4P | 100 | 80 | 40 | 11 | 23 | 4 | 8.5 | 63 | 7 | M4×12 | 1-M20×1.5 | 115 | 95 | Φ10 | 140 | 3 | 120 | 120 | 107 | 170 | 212 |
| HMI | 71M | 2.4.6 P | 112 | 90 | 45 | 14 | 30 | 5 | 11 | 71 | 7 | M5×12 | 1-M20×1.5 | 130 | 110 | Φ10 | 160 | 3.5 | 132 | 133 | 114 | 185 | 240 |
| HMI | 80M | 2.4.6.8P | 125 | 100 | 50 | 19 | 40 | 6 | 15.5 | 80 | 10 | M6×16 | 1-M25×1.5 | 165 | 130 | Φ12 | 200 | 3.5 | 152 | 153 | 122 | 202 | 290 |
| HMI | 90S | 2.4.6.8P | 140 | 100 | 56 | 24 | 50 | 8 | 20 | 90 | 10 | M8×19 | 1-M25×1.5 | 165 | 130 | Φ12 | 200 | 3.5 | 168 | 172 | 135 | 225 | 315 |
| HMI | 90L | 2.4.6.8P | 140 | 125 | 56 | 24 | 50 | 8 | 20 | 90 | 10 | M8×19 | 1-M25×1.5 | 165 | 130 | Φ12 | 200 | 3.5 | 168 | 172 | 135 | 225 | 340 |
| HMI | 100L | 2.4.6.8P | 160 | 140 | 63 | 28 | 60 | 8 | 24 | 100 | 12 | M10×22 | 1-M25×1.5 | 215 | 180 | Φ15 | 250 | 4 | 192 | 193 | 145 | 245 | 370 |
| HMI | 112M | 2.4.6.8P | 190 | 140 | 70 | 28 | 60 | 8 | 24 | 112 | 12 | M10×22 | 2-M32×1.5 | 215 | 180 | Φ15 | 250 | 4 | 222 | 223 | 165 | 277 | 395 |
| HMI | 132M | 2.4.6.8P | 216 | 140 | 89 | 38 | 80 | 10 | 33.3 | 132 | 12 | M12×28 | 2-M32×1.5 | 265 | 230 | Φ15 | 300 | 4 | 248 | 265 | 208 | 340 | 470 |
| HMI | 132L | 2.4.6.8P | 216 | 178 | 89 | 38 | 80 | 10 | 33.3 | 132 | 12 | M12×28 | 2-M32×1.5 | 265 | 230 | Φ15 | 300 | 4 | 248 | 265 | 208 | 340 | 500 |
| HMI | 160M | 2.4.6.8P | 254 | 210 | 108 | 42 | 110 | 12 | 37 | 160 | 15 | M12×28 | 2-M40×1.5 | 300 | 250 | Φ19 | 350 | 5 | 315 | 330 | 260 | 420 | 605 |
| HMI | 160L | 2.4.6.8P | 254 | 254 | 108 | 42 | 110 | 12 | 37 | 160 | 15 | M12×28 | 2-M40×1.5 | 300 | 250 | Φ19 | 350 | 5 | 315 | 330 | 260 | 420 | 680 |
| HMI | 180M | 2.4.6.8P | 279 | 241 | 121 | 48 | 110 | 14 | 42.5 | 180 | 15 | M12×28 | 2-M40×1.5 | 300 | 250 | Φ19 | 350 | 5 | 350 | 352 | 265 | 445 | 694 |
| HMI | 180L | 2.4.6.8P | 279 | 279 | 121 | 48 | 110 | 14 | 42.5 | 180 | 15 | M12×28 | 2-M40×1.5 | 300 | 250 | Φ19 | 350 | 5 | 350 | 352 | 265 | 445 | 732 |
| HMI | 200L | 2.4.6.8P | 318 | 305 | 133 | 55 | 110 | 16 | 49 | 200 | 19 | M20×42 | 2-M50×1.5 | 350 | 300 | Φ19 | 400 | 5 | 390 | 394 | 315 | 515 | 774 |
| HMI | 225S | 4.8P | 356 | 286 | 149 | 60 | 140 | 18 | 53 | 225 | 19 | M20×42 | 2-M50×1.5 | 400 | 350 | Φ19 | 450 | 5 | 435 | 442 | 335 | 560 | 820 |
| HMI | 225M | 2P | 356 | 311 | 149 | 55 | 110 | 16 | 49 | 225 | 19 | M20×42 | 2-M50×1.5 | 400 | 350 | Φ19 | 450 | 5 | 435 | 442 | 335 | 560 | 813 |
| HMI | 225M | 4.6.8P | 356 | 311 | 149 | 60 | 140 | 18 | 53 | 225 | 19 | M20×42 | 2-M50×1.5 | 400 | 350 | Φ19 | 450 | 5 | 435 | 442 | 335 | 560 | 873 |
| HMI | 250M | 2P | 406 | 349 | 168 | 60 | 140 | 18 | 53 | 250 | 24 | M20×42 | 2-M63×1.5 | 500 | 450 | Φ19 | 550 | 5 | 490 | 481 | 375 | 625 | 922 |
| HMI | 250M | 4.6.8P | 406 | 349 | 168 | 65 | 140 | 18 | 58 | 250 | 24 | M20×42 | 2-M63×1.5 | 500 | 450 | Φ19 | 550 | 5 | 490 | 481 | 375 | 625 | 922 |
| HMI | 280S | 2P | 457 | 368 | 190 | 65 | 140 | 18 | 58 | 280 | 24 | M20×42 | 2-M63×1.5 | 500 | 450 | Φ19 | 550 | 5 | 547 | 550 | 400 | 680 | 991 |
| HMI | 280S | 4.6.8P | 457 | 368 | 190 | 75 | 140 | 20 | 67.5 | 280 | 24 | M20×42 | 2-M63×1.5 | 500 | 450 | Φ19 | 550 | 5 | 547 | 550 | 400 | 680 | 991 |
| HMI | 280M | 2P | 457 | 419 | 190 | 65 | 140 | 18 | 67.5 | 280 | 24 | M20×42 | 2-M63×1.5 | 500 | 450 | Φ19 | 550 | 5 | 547 | 550 | 400 | 680 | 1040 |
| HMI | 280M | 4.6.8P | 457 | 419 | 190 | 75 | 140 | 20 | 67.5 | 280 | 24 | M20×42 | 2-M63×1.5 | 500 | 450 | Φ19 | 550 | 5 | 547 | 550 | 400 | 680 | 1040 |
| HMI | 315S | 2P | 508 | 406 | 216 | 65 | 140 | 18 | 58 | 315 | 28 | M20×42 | 2-M63×1.5 | 600 | 550 | Φ24 | 660 | 6 | 630 | 600 | 540 | 855 | 1160 |
| HMI | 315S | 4.6.8.10P | 508 | 406 | 216 | 80 | 170 | 22 | 71 | 315 | 28 | M20×42 | 2-M63×1.5 | 600 | 550 | Φ24 | 660 | 6 | 630 | 600 | 540 | 855 | 1190 |
| HMI | 315M | 2P | 508 | 457 | 216 | 65 | 140 | 18 | 58 | 315 | 28 | M20×42 | 2-M63×1.5 | 600 | 550 | Φ24 | 660 | 6 | 630 | 600 | 540 | 855 | 1190 |
| HMI | 315M | 4.6.8.10P | 508 | 457 | 216 | 80 | 170 | 22 | 71 | 315 | 28 | M20×42 | 2-M63×1.5 | 600 | 550 | Φ24 | 660 | 6 | 630 | 600 | 540 | 855 | 1300 |
| HMI | 315L | 2P | 508 | 508 | 216 | 65 | 140 | 18 | 58 | 315 | 28 | M20×42 | 2-M63×1.5 | 600 | 550 | Φ24 | 660 | 6 | 630 | 600 | 540 | 855 | 1190 |
| HMI | 315L | 4.6.8.10P | 508 | 508 | 216 | 80 | 170 | 22 | 71 | 315 | 28 | M20×42 | 2-M63×1.5 | 600 | 550 | Φ24 | 660 | 6 | 630 | 600 | 540 | 855 | 1300 |
| HMI | 355M | 2P | 610 | 560 | 254 | 75 | 140 | 20 | 67.5 | 355 | 28 | M20×42 | 2-M63×1.5 | 740 | 680 | Φ24 | 800 | 6 | 730 | 710 | 655 | 1010 | 1500 |
| HMI | 355M | 4.6.8.10P | 610 | 560 | 254 | 95 | 170 | 25 | 86 | 355 | 28 | M20×42 | 2-M63×1.5 | 740 | 681 | Φ25 | 800 | 6 | 730 | 710 | 655 | 1010 | 1530 |
| HMI | 355L | 2P | 610 | 630 | 254 | 75 | 140 | 20 | 67.5 | 355 | 28 | M20×42 | 2-M63×1.5 | 740 | 682 | Φ26 | 800 | 6 | 730 | 710 | 655 | 1010 | 1500 |
| HMI | 355L | 4.6.8.10P | 610 | 630 | 254 | 95 | 170 | 25 | 86 | 355 | 28 | M20×42 | 2-M63×1.5 | 740 | 683 | Φ27 | 800 | 6 | 730 | 710 | 655 | 1010 | 1530 |