

Y Series Three Phase Asynchronous Motor



Specifications

Y series three phase asynchronous motor is squirrel cage typed three phase asynchronous motor with low voltage which meets the need of general- purposed at domestic and abroad. The range of frame size is 80 to 355, designed to national standard. Y series motors are of high efficiency, energy saving, good performance, small vibration, low noise, long life, high reliability and easy maintenance. Its mounting dimension and power totally conform to IEC standard. Y series Motors are widely used in mechanism facility without specific requirement: agriculture equipment, food machinery, fans, pumps, machine tools, mixers, air compressors.

Y series motors are designed to JB/T10391-2002 standard:

Rated Voltage: 380V; 400V; 415V (Special Voltage is available on request.)

Rated Frequency: 50HZ, 60HZ

Insulation Class: B; F; H

Power: 0.55~315KW

Protection Class: IP44, IP54, IP55

Cooling Method: IC411

Connection Type: Power under 3KW selects Star connection

Power up 3KW selects Delta connection

Y Series Technical Data

2 POLE

Type	Output	Amps	Speed	EFF	Power factor				Net Weight	Noise Level
	kw	A	r/min	%	(cosΦ)	Tst/Tn	Ist/In	Tmax/Tn	Kg	dB(A)
380V 50HZ						3000r/min Synchronous SPEED 3000r/min 50Hz				
Y80M1-2	0.75	1.8	2825	75.5	0.85	2.2	2.3	6.5	16	66
Y80M2-2	1.1	2.5	2825	77.2	0.87	2.2	2.3	7	18	66
Y90S-2	1.5	3.4	2840	78.6	0.85	2.2	2.3	7	21	70
Y90L-2	2.2	4.8	2840	80.7	0.86	2.2	2.3	7	24	70
Y100L-2	3	6.4	2880	82.2	0.87	2.2	2.3	7	34	74
Y112M-2	4	8.2	2890	85.8	0.86	2.2	2.3	7	43	74
Y132S1-2	5.5	11.1	2900	85.7	0.89	2	2.3	7	63	78
Y132S2-2	7.5	14.9	2900	86.4	0.88	2	2.3	7	69	78
Y160M1-2	11	21.6	2930	87.4	0.88	2	2.3	7	114	82
Y160M2-2	15	28.9	2930	88.3	0.89	2	2.3	7	120	82
Y160L-2	18.5	35.7	2930	89.2	0.88	2	2.2	7	136	82
Y180M-2	22	42.2	2940	89.9	0.88	2	2.2	7	172	87
Y200L1-2	30	56.9	2950	90.2	0.89	2	2.2	7	222	90
Y220L2-2	37	69.8	2950	90.6	0.89	2	2.2	7	246	90
Y225M-2	45	83.9	2970	91.3	0.89	2	2.2	7	292	90
Y250M-2	55	103	2970	91.6	0.88	2	2.2	7	392	92
Y280S-2	75	139.7	2960	91.8	0.89	2	2.2	7	508	94
Y280M-2	90	166	2960	92.6	0.89	2	2.2	7	590	94
Y315S-2	110	202	2960	92.7	0.88	1.8	2.2	6.8	862	99
Y315M-2	132	238	2960	93.1	0.9	1.8	2.2	6.8	996	99
Y315L1-2	160	287	2960	93.6	0.9	1.8	2.2	6.8	1055	99
Y315L2-2	200	365	2960	93.7	0.9	1.8	2.2	6.8	1080	99
Y355M1-2	220	397	2980	94.2	0.89	1.2	2.2	6.9	1750	109
Y355M2-2	250	444	2980	94.5	0.9	1.2	2.2	7	1770	111
Y355L1-2	280	497	2980	94.7	0.9	1.2	2.2	7.1	1830	111
Y355L2-2	315	557	2980	95	0.9	1.2	2.2	7.1	1900	111

4 POLE

Type	Output	Amps	Speed	EFF	Power factor				Net Weight	Noise Level
	kw	A	r/min	%	(cosΦ)	Tst/Tn	Ist/In	Tmax/Tn	Kg	dB(A)
380V 50HZ 1500r/min Synchronous SPEED 1500r/min 50Hz										
Y80M1-4	0.55	1.5	1390	73.2	0.77	2.4	2.3	6	16	56
Y80M2-4	0.75	2	1390	74.7	0.76	2.3	2.3	6	17	56
Y90S-4	1.1	2.8	1400	77.9	0.78	2.3	2.3	6.5	21	61
Y90L-4	1.5	3.7	1400	79.2	0.79	2.3	2.3	6.5	25	62
Y100L1-4	2.2	5	1420	81.1	0.82	2.2	2.3	7	33	65
Y100L2-4	3	6.8	1420	82.7	0.81	2.2	2.3	7	38	65
Y112M-4	4	8.7	1440	84.6	0.83	2.2	2.3	7	49	68
Y132S-4	5.5	11.6	1440	85.6	0.84	2.2	2.3	7	64	70
Y132M-4	7.5	15.4	1440	86.7	0.85	2.2	2.3	7	77	71
Y160M-4	11	22.7	1460	88.1	0.84	2.2	2.2	7	122	75
Y160L-4	15	30.5	1460	88.4	0.85	2.2	2.3	7	140	77
Y180M-4	18.5	35.9	1470	91.2	0.86	2	2.2	7	166	77
Y180L-4	22	42.9	1470	91.3	0.86	2	2.2	7	181	77
Y200L-4	30	56.8	1470	92.1	0.87	2	2.2	7	242	79
Y225S-4	37	70.4	1480	91.9	0.87	1.9	2.2	7	278	79
Y225M-4	45	84.2	1480	92.2	0.88	1.9	2.2	7	312	79
Y250M-4	55	103	1480	92.7	0.88	2	2.2	7	395	81
Y280S-4	75	137.6	1470	92.8	0.89	1.9	2.2	7	562	85
Y280M-4	90	163.7	1470	93.4	0.89	1.9	2.2	7	630	85
Y315S-4	110	199	1470	94.1	0.89	1.8	2.2	6.8	905	93
Y315M-4	132	235	1470	94.6	0.9	1.8	2.2	6.8	1016	96
Y315L1-4	160	285	1470	94.5	0.9	1.8	2.2	6.8	1108	96
Y315L2-4	200	361	1470	94.6	0.89	1.8	2.2	6.8	1210	96
Y355M1-4	220	407	1490	94.4	0.87	1.4	2.2	6.8	1660	106
Y355M2-4	250	461	1490	94.7	0.87	1.4	2.2	6.8	1700	108
Y355L1-4	280	515	1490	94.9	0.87	1.4	2.2	6.9	1790	108
Y355L2-4	315	578	1490	95.2	0.87	1.4	2.2	6.9	1890	108

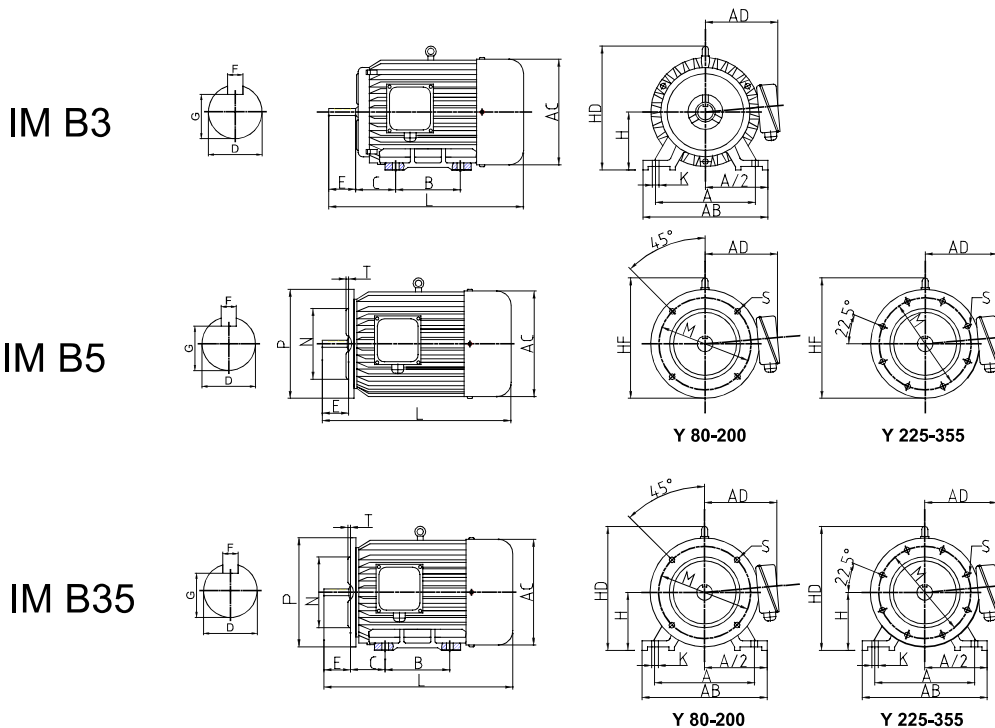
6 POLE

Type	Output	Amps	Speed	EFF	Power factor				Net Weight	Noise Level
	kw	A	r/min	%	(cosΦ)	Tst/Tn	Ist/In	Tmax/Tn	Kg	dB(A)
380V 50HZ 1000r/min Synchronous SPEED 1000r/min 50Hz										
Y90S-6	0.75	2.3	910	72.5	0.7	2	2.2	5.5	22	56
Y90L-6	1.1	3.2	910	73.5	0.72	2	2.2	5.5	25	56
Y100L-6	1.5	4	940	77.5	0.74	2	2.2	6	33	62
Y112M-6	2.2	5.6	940	80.5	0.74	2	2.2	6	43	62
Y132S-6	3	7.2	960	83	0.76	2	2.2	6.5	60	66
Y132M1-6	4	9.4	960	84	0.77	2	2.2	6.5	71	66
Y132M2-6	5.5	13	960	85.3	0.78	2	2.2	6.5	82	66
Y160M-6	7.5	17.1	970	86.2	0.77	2	2	6.5	108	69
Y160L-6	11	25	970	87.1	0.77	2	2	6.5	128	70
Y180L-6	15	31.4	970	89.4	0.81	1.8	2	6.5	178	70
Y200L1-6	18.5	37.7	970	89.9	0.83	1.8	2	6.5	220	73
Y200L2-6	22	44.6	970	90.4	0.83	1.8	2	6.5	230	73
Y225M-6	30	59.5	980	90.2	0.85	1.7	2	6.5	296	76
Y250M-6	37	72	980	90.9	0.86	1.8	2	6.5	386	76
Y280S-6	45	84.2	980	92.1	0.88	1.8	2	6.5	498	79
Y280M-6	55	102	980	92.4	0.89	1.8	2	6.5	556	79
Y315S-6	75	139.6	990	92.9	0.88	1.6	2	6.5	858	87
Y315M-6	90	167	990	93.3	0.88	1.6	2	6.5	962	87
Y315L1-6	110	203.3	990	93.7	0.88	1.6	2	6.5	1020	87
Y315L2-6	132	241.8	990	93.9	0.89	1.6	2	6.5	1126	87
Y355M1-6	160	300	990	94.1	0.86	1.3	2	6.7	1590	102
Y355M2-6	185	346	990	94.3	0.86	1.3	2	6.7	1680	102
Y355M3-6	200	374	990	94.3	0.86	1.3	2	6.7	1750	102
Y355L1-6	220	409	990	94.5	0.86	1.3	2	6.7	1880	102
Y355L2-6	250	465	990	94.7	0.86	1.3	2	6.7	1990	105

8 POLE

Type	Output	Amps	Speed	EFF	Power factor	Tst/Tn	Ist/In	Tmax/Tn	Net Weight	Noise Level
	kw	A	r/min	%	(cosΦ)					
380V 50HZ 750r/min Synchronous SPEED 750r/min 50Hz										
Y132S-8	2.2	5.8	710	80.5	0.71	2	2	5.5	60	61
Y132M-8	3	7.6	710	82.3	0.73	2	2	5.5	71	61
Y160M1-8	4	10.5	720	84.1	0.73	2	2	6	102	64
Y160M2-8	5.5	13.4	720	85.2	0.73	2	2	6	108	64
Y160L-8	7.5	17.7	720	86.1	0.75	2	2	5.5	133	67
Y180L-8	11	25.1	730	87.7	0.76	1.7	2	6	176	67
Y200L-8	15	34.1	730	88.3	0.76	1.8	2	6	230	70
Y225S-8	18.5	41.3	730	89.7	0.76	1.7	2	6	258	70
Y225M-8	22	47.6	730	90.3	0.78	1.8	2	6	296	70
Y250M-8	30	63	730	90.5	0.8	1.8	2	6	378	73
Y280S-8	37	76.1	730	91.2	0.81	1.8	2	6	494	73
Y280M-8	45	90.8	730	91.9	0.82	1.8	2	6	562	73
Y315S-8	55	110.2	730	92.3	0.82	1.6	2	6.5	856	82
Y315M-8	75	148.9	730	92.7	0.83	1.6	2	6.5	1010	82
Y315L1-8	90	175.9	730	93.3	0.83	1.6	2	6.5	1110	82
Y315L2-8	110	214.8	730	93.4	0.83	1.6	2	6	1195	82
Y355M1-8	132	260	740	93.8	0.81	1.3	2	6.3	1660	99
Y355M2-8	160	315	740	94	0.81	1.3	2	6.3	1740	99
Y355L1-8	185	363	740	94.2	0.81	1.3	2	6.3	1870	99
Y355L2-8	200	392	740	94.3	0.81	1.3	2	6.3	1980	99

Y Series Mounting and Overall Dimensions



Frame No.	PoleS	Mounting Dimensions															Overall Dimensions				
		A	A/2	B	C	D	E	F	G	H	K	M	N	P	S	T	AB	AC	AD	HD	L
80M	2, 4	125	62.5	100	50	19	40	6	15.5	80	10	165	130	200	12	3.5	165	175	150	175	290
90S	2, 4, 6	140	70	100	56	24	50	8	20	90	10	165	130	200	12	3.5	180	195	160	195	315
90L	2, 4, 6	140	70	125	56	24	50	8	20	90	10	165	130	200	12	3.5	180	195	160	195	340
100L	2, 4, 6	60	80	140	63	28	60	8	24	100	12	215	180	250	15	4	205	215	180	245	380
112M	2, 4, 6	190	95	140	70	28	60	8	24	112	12	215	180	250	15	4	245	240	190	265	400
132S	2,4,6,8	216	108	140	89	38	80	10	33	132	12	265	230	300	15	4	280	275	210	315	475
132M	2,4,6,8	216	108	178	89	38	80	10	33	132	12	265	230	300	15	4	280	275	210	315	515
160M	2,4,6,8	254	127	210	108	42	110	12	37	160	15	300	250	350	19	5	330	335	265	385	605
160L	2,4,6,8	254	127	254	108	42	110	12	37	160	15	300	250	350	19	5	330	335	265	385	650
180M	2,4,6,8	279	139.5	241	121	48	110	14	42.5	180	15	300	250	350	19	5	355	380	285	430	670
180L	2,4,6,8	279	139.5	279	121	48	110	14	42.5	180	15	300	250	350	19	5	355	380	285	430	710
200L	2,4,6,8	318	159	305	133	55	140	16	49	200	19	350	300	400	19	5	395	420	315	475	775
225S	4, 8	356	178	286	149	60	110	18	53	225	19	400	350	450	19	5	435	475	345	530	820
225M	2	356	178	311	149	55	140	16	49	225	19	400	350	450	19	5	435	475	345	530	815
225M	4, 6, 8	356	178	311	149	60	140	18	53	225	19	400	350	450	19	5	435	475	345	530	840
250M	2	406	203	349	168	60	140	18	53	250	24	500	450	550	19	5	490	515	385	575	930
250M	4, 6, 8	406	203	349	168	65	140	18	58	250	24	500	450	550	19	5	490	515	385	575	930
280S	2	457	228.5	368	190	65	140	18	58	280	24	500	450	550	19	5	550	580	410	640	1000
280S	4, 6, 8	457	228.5	368	190	75	140	20	67.5	280	24	500	450	550	19	5	550	580	410	640	1000
280M	2	457	228.5	419	190	65	140	18	58	280	24	500	450	550	19	5	550	580	410	640	1050
280M	4, 6, 8	457	228.5	419	190	75	140	20	67.5	280	24	500	450	550	19	5	550	580	410	640	1050
315S	2	508	254	406	216	65	140	18	58	315	28	600	550	660	24	5	744	645	576	865	1240
315S	4, 6, 8, 10	508	254	406	216	80	170	22	71	315	28	600	550	660	24	5	744	645	576	865	1270
315M	2	508	254	457	216	65	140	18	58	315	28	600	550	660	24	5	744	645	576	865	1310
315M	4, 6, 8, 10	508	254	457	216	80	170	22	71	315	28	600	550	660	24	5	744	645	576	865	1340
315L	2	508	254	508	216	65	140	18	58	315	28	600	550	660	24	5	744	645	576	865	1310
315L	4, 6, 8, 10	508	254	508	216	80	170	22	71	315	28	740	680	800	24	5	744	645	576	865	1340
355M	2	610	305	560	254	75	140	20	67.5	355	28	740	680	800	24	5	740	750	680	1035	1540
355M	4, 6, 8, 10	610	305	560	254	95	170	25	86	355	28	740	680	800	24	5	740	750	680	1035	1570
355L	2	610	305	630	254	75	140	20	67.5	355	28	740	680	800	24	5	740	750	680	1035	1540
355L	4, 6, 8, 10	610	305	630	254	95	170	25	86	355	28	740	680	800	24	5	740	750	680	1035	1570